

Q1.

Michael and Ryan are athletes.
They use digital devices as they try to improve their performance and when they relax.
They are travelling to an overseas athletics event.

Michael uses his tablet computer to watch TV online.

(i) State **two** benefits to Michael of online TV.

(2)

1

2

(ii) Michael connects his tablet computer to a television.

Give **one** benefit to Michael of doing this.

(1)

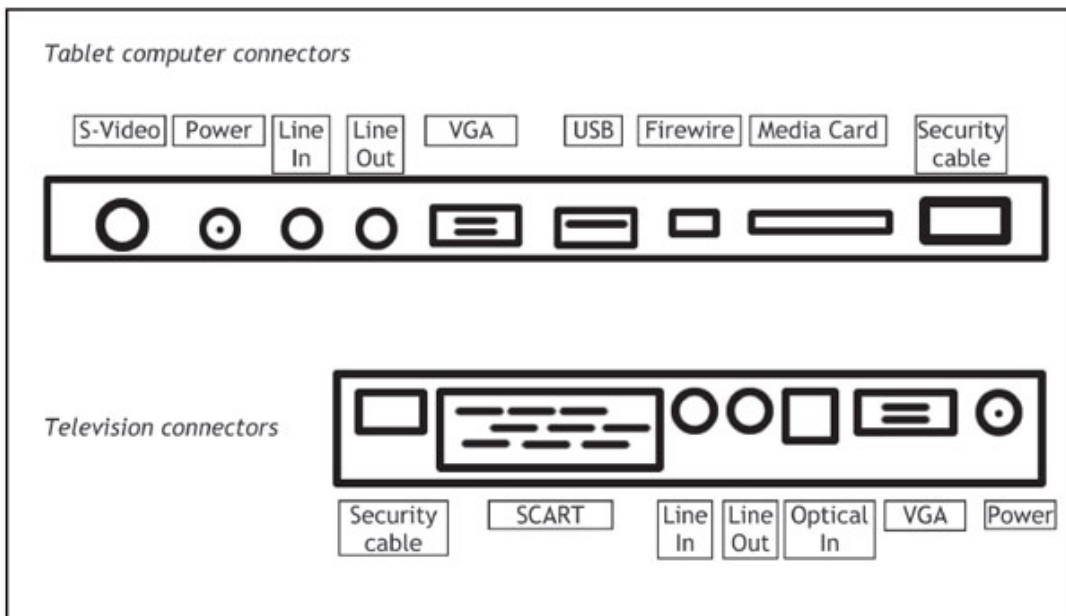
.....

.....

(iii) The images on this page show the connectors for the tablet computer and the television.

Draw **two** lines to show the connections needed to play audio **and** video on the **television**.

(2)



Q2.

Lee's dad has decided the family should join the digital age.

He has bought some new laptops.

Lee recommends that open source software is installed on the laptops.

(i) Give **two** advantages of open source software over proprietary software.

(2)

1

.....

2

.....

(ii) Give **one** disadvantage of open source software over proprietary software.

(1)

.....

.....

.....

(iii) Explain how having access to the internet could enhance the family's daily lives.

(3)

.....

.....

.....

.....

.....

.....

.....

.....

Q3.

Many personal media players offer security features.

Give **two** of these.

(2)

1

.....

2.....

.....

Q4.

Laura and Shameela are friends. They use digital devices to listen to their favourite bands and to watch music videos.



Laura wants to connect her personal media player to her television.

Which connection type would allow this?

- A** Serial
- B** Infrared
- C** PS/2
- D** HDMI

(1)

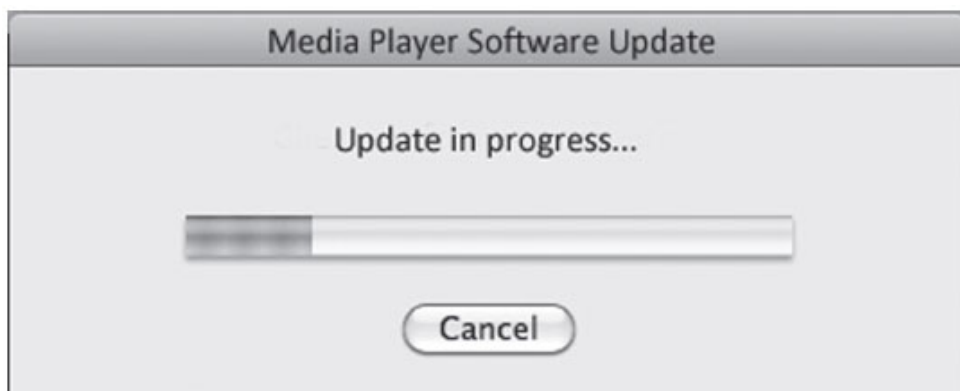
Q5.

Laura and Shameela are friends. They use digital devices to listen to their favourite bands and to watch music videos.



Laura connects her personal media player to her laptop.

She sees this:



The update includes a security fix for the software.

Give **two** other reasons for a software update.

1.....

.....

2.....

.....

Q6.

Laura and Shameela are friends. They use digital devices to listen to their favourite bands and to watch music videos.



List **two** peripheral devices Laura could use with her personal media player.

(2)

1

2

Q7.

Laura and Shameela are friends. They use digital devices to listen to their favourite bands and to watch music videos.



Laura likes to use her personal media player when she goes running.

List **two** features of personal media players that make them suitable for this.

(2)

- 1
- 2

Q8.

Laura and Shameela are friends. They use digital devices to listen to their favourite bands and to watch music videos.



Laura wants to buy a new personal media player.

(i) Which **one** of these has the highest screen resolution?

(1)

- Personal Media Player A
- Personal Media Player B
- Personal Media Player C
- Personal Media Player D

(ii) Which **one** of these provides the fastest **wired** connection?





(1)

- Personal Media Player A
- Personal Media Player B
- Personal Media Player C
- Personal Media Player D

(iii) Which **one** of these can store the most data?

(1)

- Personal Media Player A
- Personal Media Player B
- Personal Media Player C
- Personal Media Player D

Personal Media Player A		Personal Media Player B	
			
Interface	Jog Wheel	Interface	Remote
Connectivity	USB 1.0	Connectivity	USB 2.0
Storage	500 MB	Storage	64 GB
Screen Resolution	320×240	Screen Resolution	400×240
Personal Media Player C		Personal Media Player D	
			
Interface	Multi-function button	Interface	Touch screen
Connectivity	Bluetooth	Connectivity	WiFi

Storage	160 GB	Storage	320 GB
Screen Resolution	1280×720	Screen Resolution	640×480

Q9.

Laura and Shameela are friends. They use digital devices to listen to their favourite bands and to watch music videos.



Laura buys a personal media player. She can now watch videos 'on demand'.

(i) Give **one advantage** to Laura of streaming rather than downloading videos.

(1)

.....
.....

(ii) Give **one disadvantage** to Laura of streaming rather than downloading videos.

(1)

.....
.....

Q10.

Laura and Shameela are friends. They use digital devices to listen to their favourite bands and to watch music videos.



Laura wants to connect her personal media player to her television.

When Laura gets home from City Arena, she buys a Blu-ray disc of the band's performance from an online store.

Laura starts to receive personalised emails from the online store with offers on discs from similar bands.

(i) Explain why the online store sends Laura the emails.

(2)

.....

.....

.....

.....

(ii) Describe how the online store is able to do this.

(2)

.....
.....
.....
.....

(iii) Laura does not want to receive these emails.

State **two** ways that she could prevent them from reaching her.

(2)

1

2

.....